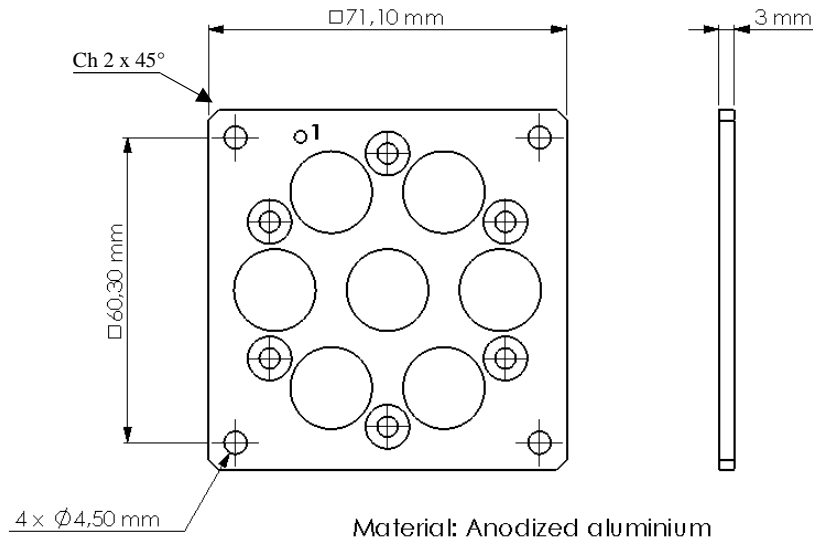


Title : **SQUARE FLANGE**

Issue  
05.Oct.09

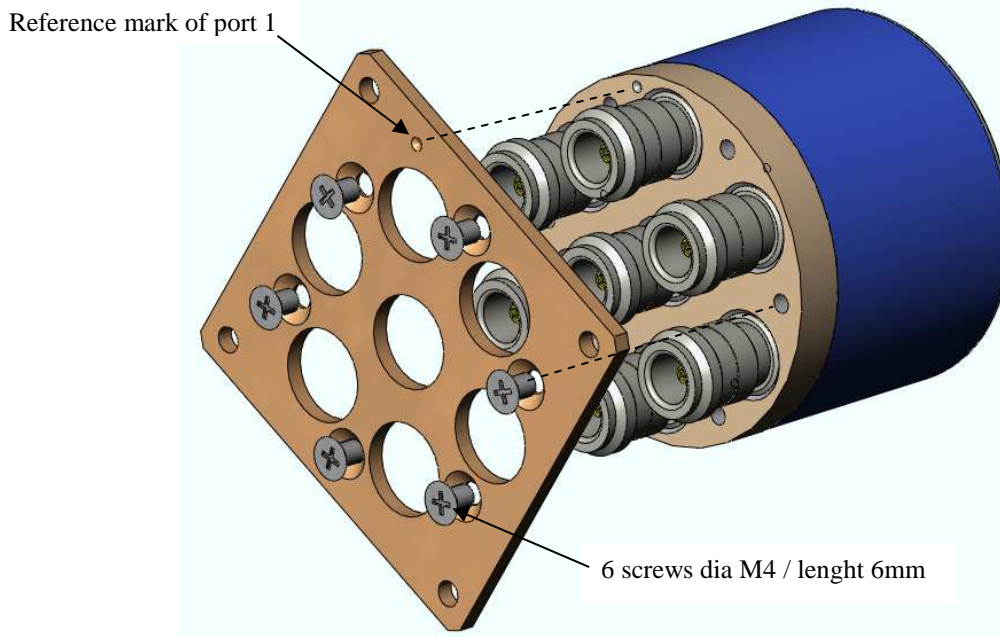
Page  
1/1



**For R573 series, 3 to 6 positions with connectors 1.6/5.6, N, BNC, TNC**

**MOUNTING PROCESS**

- 1) Assemble the Square flange on the RF body of the switch as the following drawing below.  
**CAUTION: don't forget to position correctly the reference mark of port 1**
- 2) Screw the six screws (delivered with the Square flange)



**CAUTION: Mounting Bracket may reduce the shocks and vibrations levels guaranteed for the standard product**

<b>CREATION</b>					<b>RADIALL</b>
N°:					101, rue P. Hoffmann
PEN/EP : CAT					93116 ROSNY/BOIS
Name: LJ					FRANCE
Date: 05.Oct.09					Tel : (33) 0149353535
Appr.: PG	Issue	Revisions	Name	Appr.	Fax : (33) 0148546363